

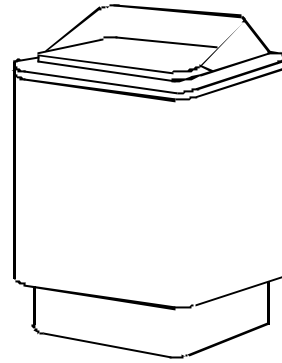
INSTRUCTIONS FOR INSTALLATION AND USE

SAUNA HEATER

1712-30-04
1712-45-04
1712-60-04
1712-80-04
1712-90-04

CONTROL PANEL

1418- 2 - 1517



We wish you many hours of relaxation and pleasure in your sauna. Please read the instructions beneath very carefully in order to find out how the sauna works.

ATTENTION: The sauna heater must be connected to the power supply by a qualified electrician and in compliance with current regulations.

INSTALLATION OF THE HEATER

For information about how to install the heater, please see page 3. When mounting the heater, please take note of the following:

- Follow the given instructions
- Wood panelling is the approved material for walls and ceiling in the sauna room.
- Check that the wall panelling is secured where the screws will be fastened.
- Only one sauna unit may be installed in a sauna room.
- The heater must not be surrounded by a compact heater guard.

Before installing the heater, please check the following:

- That the following parts have been delivered: heater, control box with temperature sensor device.
- That the voltage of the heater and control box is correct and that the control box is suitable for the heater
- That the kW of the heater corresponds with the size (m²) of the sauna room. See table 1
- That the minimum construction distances in fig. 2 are strictly followed

MOUNTING THE SAUNA HEATER (See fig 2)

Drill the four screw holes using a 3,5 mm² drill bit. The screw head should be approx. 3 mm from the wall surface. Make sure that the screws are fastened through the sauna room soft wood lining into a backing board to hold the heater.

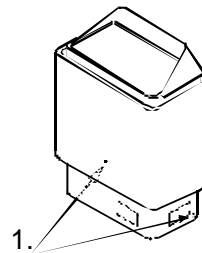
Hang the heater on the screws. Tighten the lower screws in order to lock the heater in position. Re-check your distances from the heater to combustible materials to make sure the stipulated minimum distances are followed.

MAIN CONNECTION

The cable used must be at least rubber coated HO7RN-F type. Also other cables coming from the heater (such as those for the signal lamp, locking circuit for other heating appliances) should be of corresponding type and have a similar cross-section as the above mentioned.

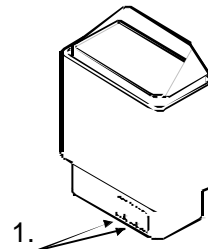
To connect a heater with an one-piece bottom part:

- Remove the screws (1) on both sides of the heater.
- Remove the bottom part.
- Connect the heater
- Mount the bottom part.
- Mount the screws (1) back.



To connect a heater with the connection box behind the type plate:

- Remove the screws (1) on the type plate.
- Remove the type plate.
- Connect the heater.
- Put the type plate back.
- Mount the screws (1) back.



SAUNA STONE

Sauna stones may be dusty, we recommend that they are rinsed before being placed in the rock compartment. Put the larger stones at the bottom. Do not pack stones tightly but place them to allow good air circulation. To prevent damage to the sauna unit, the stones must be replaced if they begin to flake.

(7013531) 314 SKSM 96 B

Minimum distances (mm)

Table 1

Sauna room			Minimum distance to:					Minimum distance for the wall bracket		Stone	Supply connections
kW	Volume m ³	Height mm	Side wall A mm	In front of D mm	Ceiling F mm	Floor K mm	Niche E mm	B mm	J mm	kg	Cable size HO7RN-F Heater
3,0	2 - 4	1900	30	50	1200	120	540	50	390	15	5 x 1,5mm ²
4,5	3 - 6	1900	50	80	1200	120	580	70	390	15	5 x 1,5mm ²
6,0	5 - 9	1900	70	100	1250	120	650	90	390	23	5 x 1,5mm ²
8,0	8 - 13	1900	100	150	1250	120	750	120	390	23	5 x 2,5mm ²
9,0	9 - 14	1900	100	200	1250	120	-	120	390	23	5 x 2,5mm ²

Fig. 2

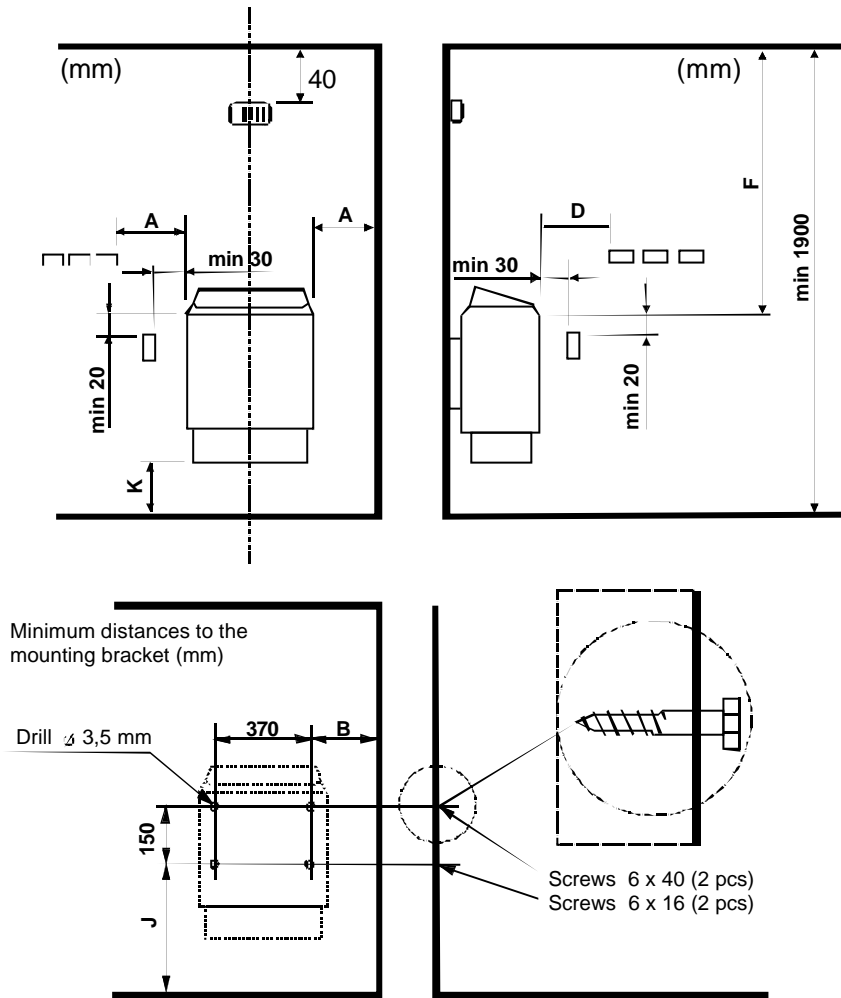
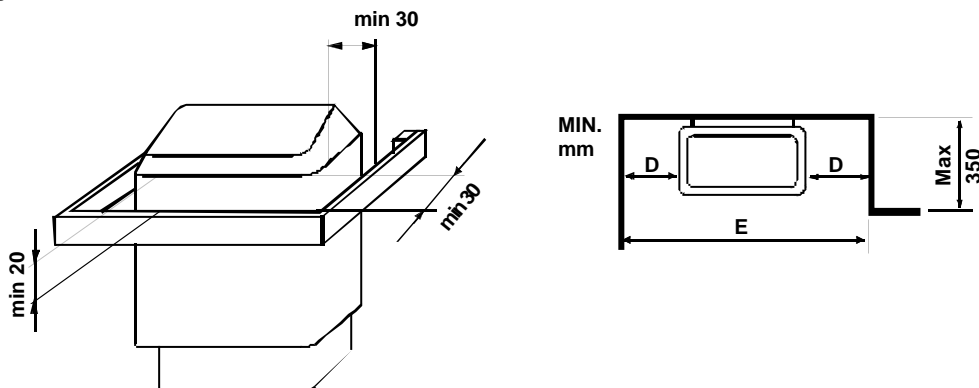
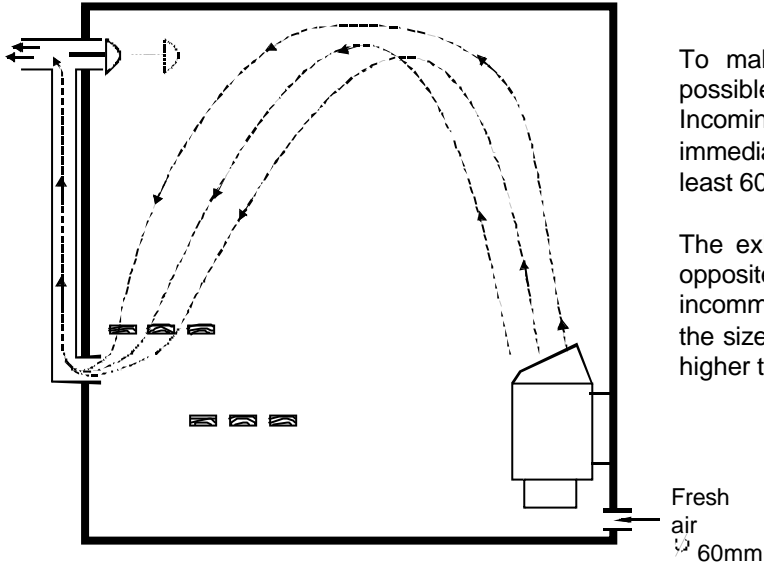


Fig. 3



VENTILATION

Fig. 4 Ventilation



To make the sauna bath as pleasant and healthy as possible, the sauna room must be correctly ventilated. Incoming air should, if possible, be led in through a vent immediately under the sauna unit. This vent should be at least 60mm in diameter.

The exhaust air should, if possible, be led out from the opposite wall, preferably as far as possible from the incoming air vent. The exhaust air vent should be twice the size of the incoming air vent, and placed about 600mm higher than the fresh air inlet ventilator

